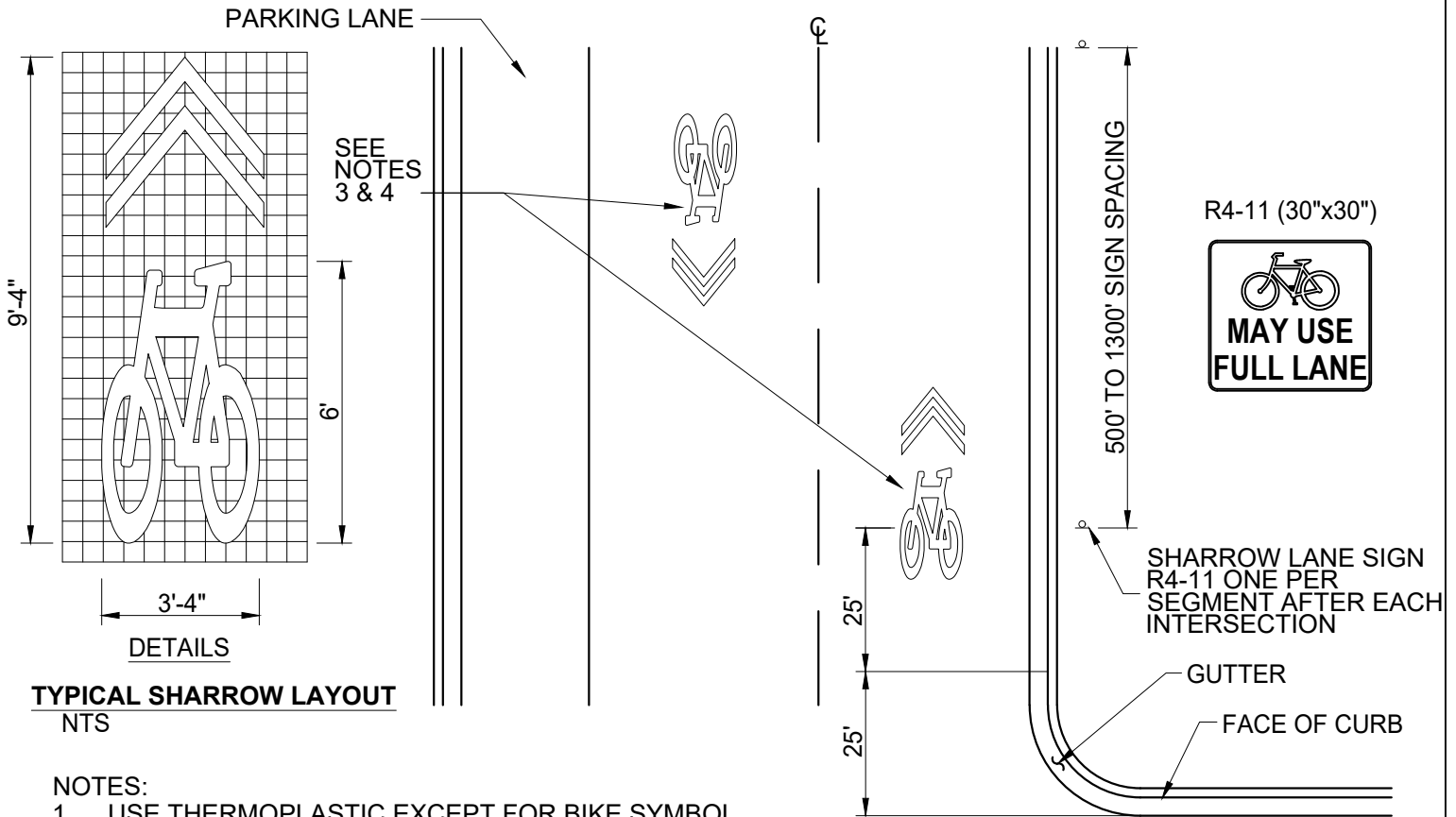


SHARROW LANE WITH PARKING
NTS

SHARROW LANE WITHOUT PARKING
NTS



TYPICAL SHARROW LAYOUT
NTS

TYPICAL SHARROW LANE
NTS

NOTES:

1. USE THERMOPLASTIC EXCEPT FOR BIKE SYMBOL (PAINT ONLY), UNLESS DIRECTED OTHERWISE BY ENGINEER.
2. ADJUSTMENT TO DIMENSIONS SHALL BE APPROVED BY THE ENGINEER.
3. FOR LANE WIDTHS 14 FEET OR GREATER, THE SHARED LANE MARKING SHALL BE PLACED 4 FEET FROM THE FACE OF CURB, OTHERWISE, MARKING SHALL BE CENTERED IN THE LANE FOR SHARED LANE MARKING DETAILS, SEE MUTCD.
4. SHARED LANE MARKING SHOULD BE PLACED IMMEDIATELY AFTER AN INTERSECTION AND SPACED AT INTERVALS NOT GREATER THAN 250 FEET THEREAFTER OR PER ENGINEERING JUDGEMENT.



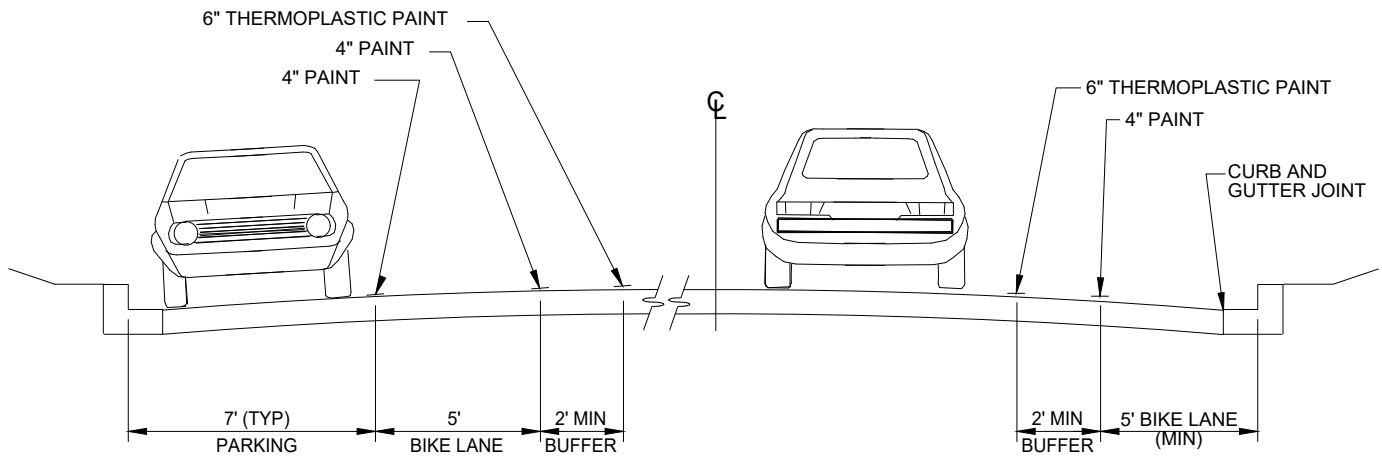
City of Bothell
PUBLIC WORKS DEPARTMENT

Approved By:

City Engineer

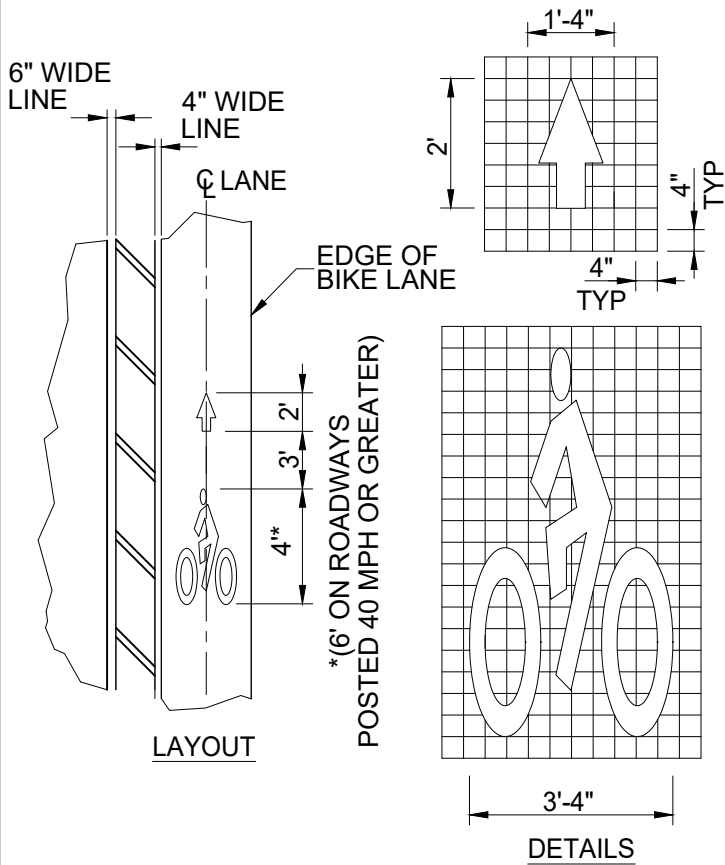
SHARROW LANES

Standard Detail
370.1
Revision Date
Sept, 2021

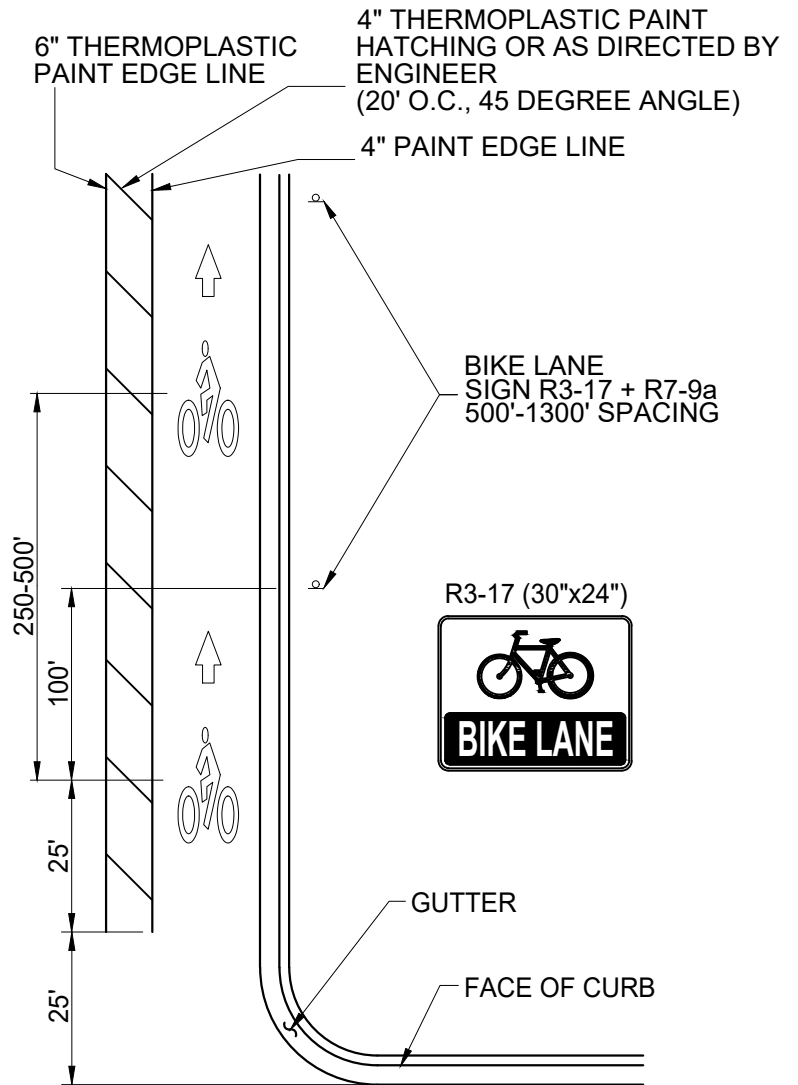


BUFFERED BICYCLE LANE WITH PARKING
NTS

BUFFERED BICYCLE LANE WITHOUT PARKING
NTS



BUFFERED BICYCLE LANE SYMBOL
NTS



TYPICAL BUFFERED BICYCLE LANE
NTS

NOTE:

USE THERMOPLASTIC EXCEPT FOR BIKE SYMBOL INCLUDING ARROW (PAINT ONLY), UNLESS DIRECTED OTHERWISE BY ENGINEER.



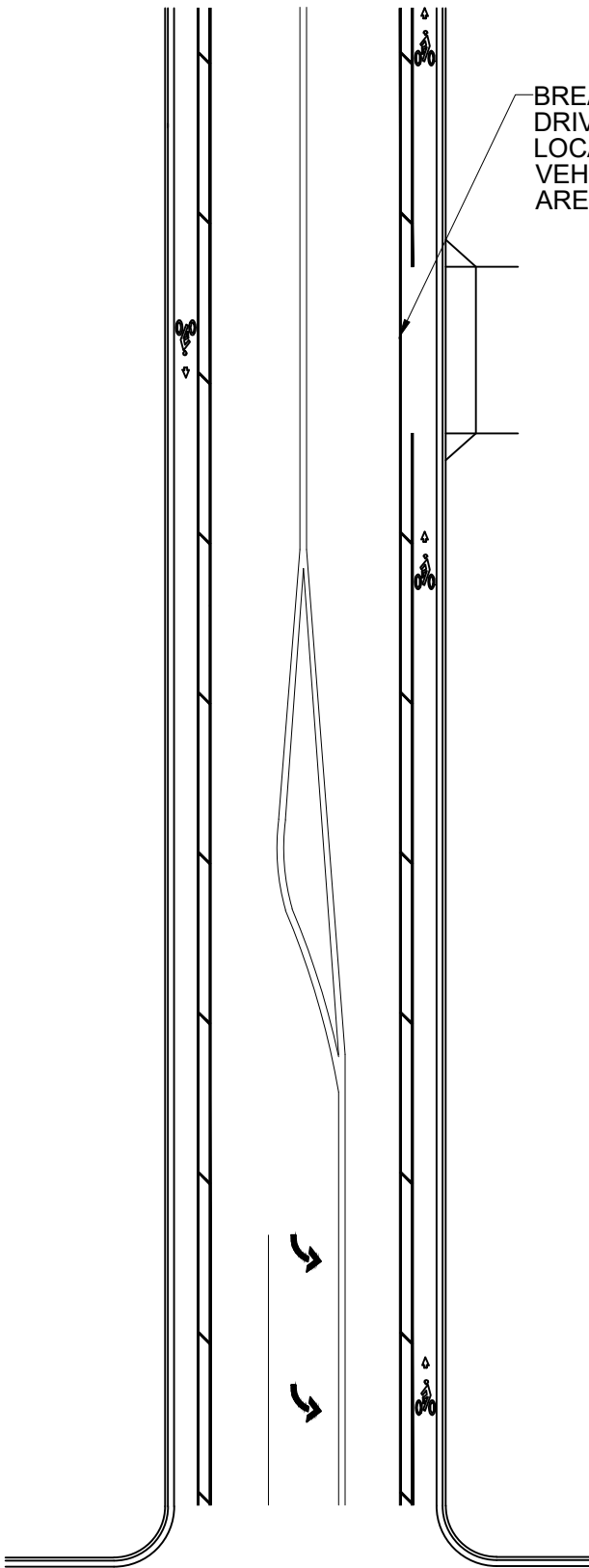
City of Bothell
PUBLIC WORKS DEPARTMENT

Approved By:

City Engineer

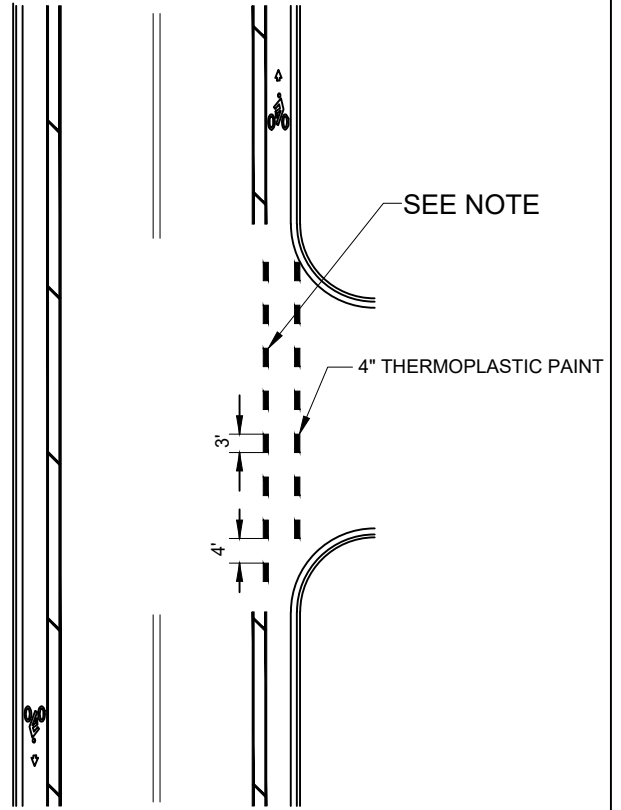
**BUFFERED
BICYCLE
LANES**

Standard
Detail
370.2
Revision Date
Sept, 2021



TYPICAL BUFFERED BICYCLE LANE
NTS

BREAK BUFFER AT DRIVEWAY OR OTHER LOCATIONS WHERE VEHICLE CROSSINGS ARE PERMITTED



SIDE STREET TREATMENT
NTS

NOTE:

BICYCLE THROUGH INTERSECTION MARKING MAY BE WARRANTED DEPENDING ON LOCATION. DESIGNS VARY. CONTACT REVIEW ENGINEER FOR SITE SPECIFIC REQUIREMENTS



City of Bothell
PUBLIC WORKS DEPARTMENT

Approved By:

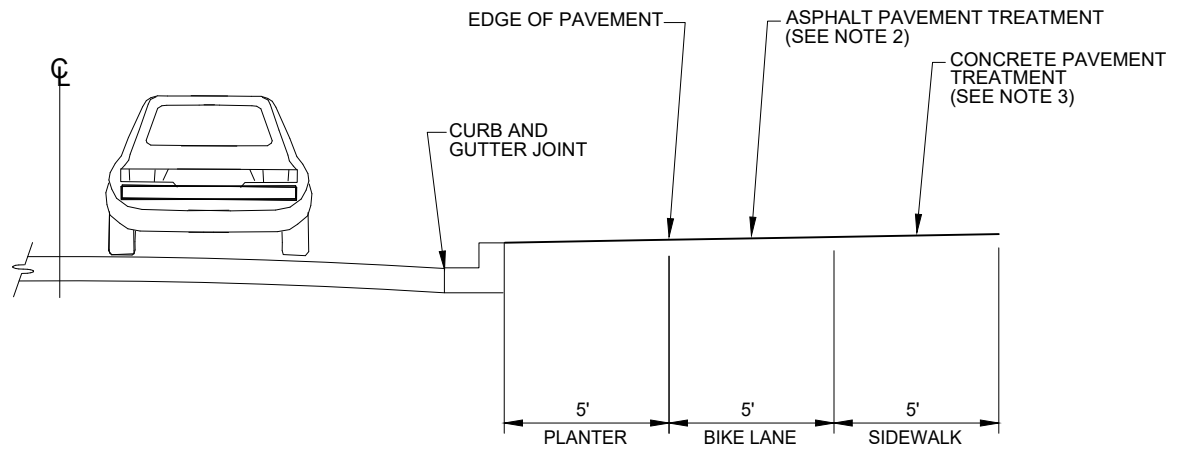
City Engineer

**BUFFERED
BICYCLE
LANES**

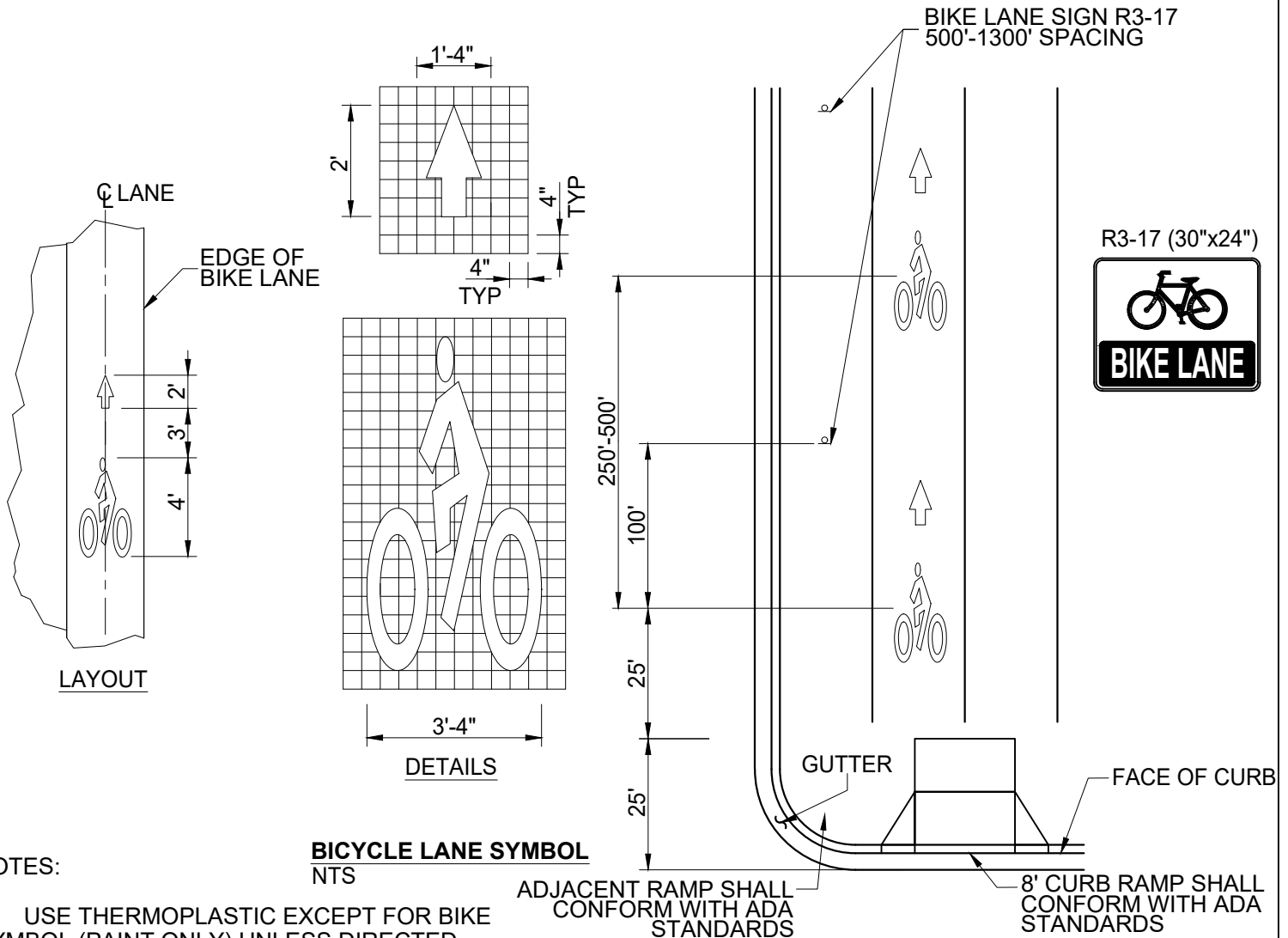
Standard
Detail

370.3

Revision Date
Sept, 2021



PROTECTED BICYCLE LANE
NTS




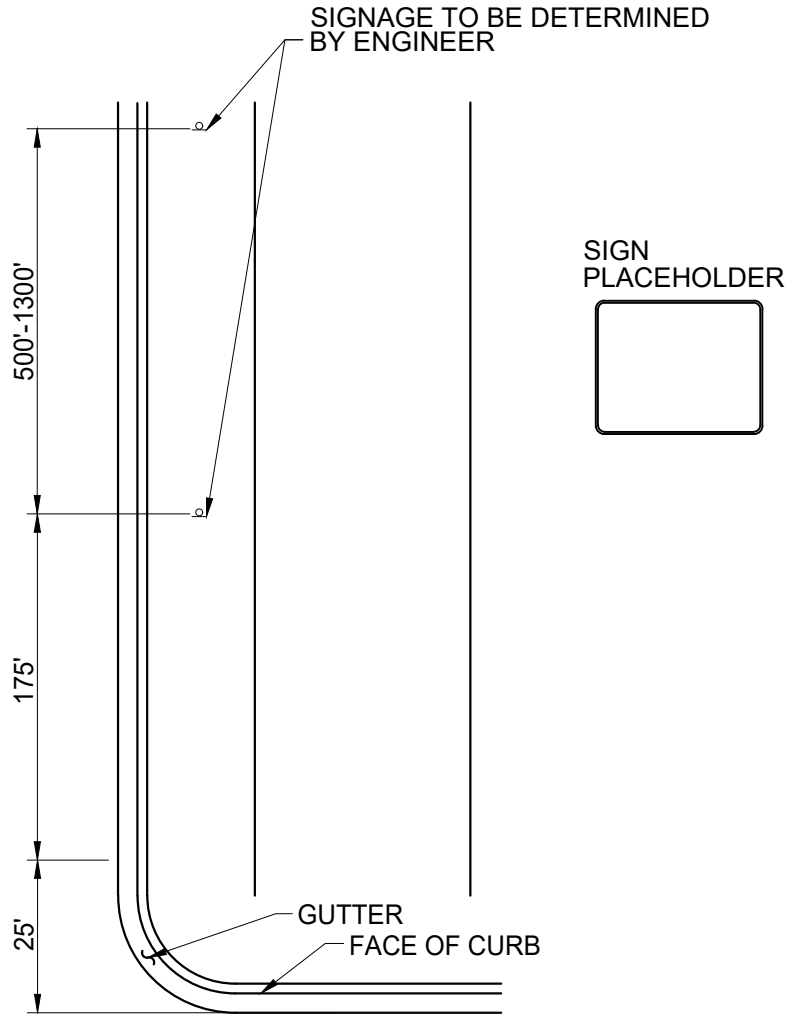
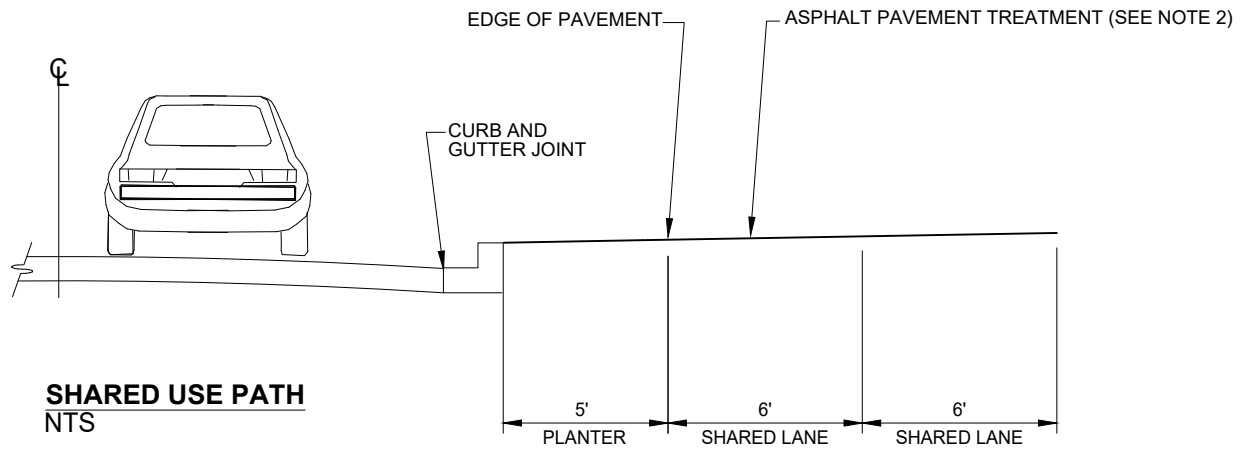
NOTES:

1. USE THERMOPLASTIC EXCEPT FOR BIKE SYMBOL (PAINT ONLY), UNLESS DIRECTED OTHERWISE BY ENGINEER.
2. REFER TO CITY OF BOTHELL STD. DETAIL 336
3. REFER TO CITY OF BOTHELL STD. DETAIL 344

BICYCLE LANE SYMBOL
NTS

TYPICAL PROTECTED BICYCLE LANE
NTS


 <p>City of Bothell</p>	<p>City of Bothell</p> <p>PUBLIC WORKS DEPARTMENT</p>	<p>Approved By:</p> <p>_____ City Engineer</p>	<p>PROTECTED BICYCLE LANES</p>	Standard Detail
				370.4
				Revision Date Sept, 2021



TYPICAL SHARED USE PATH
NTS

NOTE:

1. USE THERMOPLASTIC EXCEPT FOR BIKE SYMBOL (PAINT ONLY), UNLESS DIRECTED OTHERWISE BY ENGINEER.
2. REFER TO CITY OF BOTHELL STD. DETAIL 336

 <p>City of Bothell PUBLIC WORKS DEPARTMENT</p>	<p>Approved By:</p> <hr/> <p>City Engineer</p>	<p>SHARED USE PATH</p>	Standard Detail
			<p>370.5</p> <p>Revision Date Sept, 2021</p>